

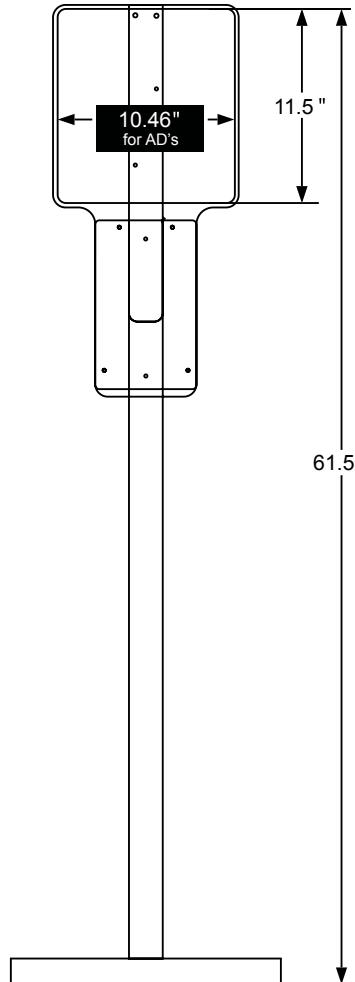


## CLASSIC SANITIZER STATION

Our Classic Stand is made of die-cast zinc aluminum, a steel base, and made in the U.S.A. You can request customized faceplate with your branding, with matte laminated adhesive vinyl. Our stands can be powder-coated in white, black, grey, and light grey or custom finishes available per request.

## AUTOMATIC HANDS-FREE LIQUID/GEL HAND SANITIZER

Our Dispenser is sold separately and works with most Liquid/Gel Hand Sanitizers making them ideal for use in offices, schools, warehouses, food services facilities, hospitals and more. ADA Compliant in force and one-handed operation, making it accessible to people with disabilities. ABS plastic casing is chemical, heat and impact resistant, made to provide long service life.



Dispenser  
SOLD separately



Refill Pump

Model No.	MATERIAL	COVER FINISH	CAPACITY	OPERATION	DIMENSIONS	WEIGHT
CLASSIC SANITIZER STATION	Powder-coated Cast Aluminum body Steel Base	White / Grey / Light Grey / Black	1x 1200 mL	Floor Stand	H 61.5 x W 11.8 / Base 15 x 14 in	14.5 lbs

Model No.	MATERIAL	COVER FINISH	CAPACITY	OPERATION	DIMENSIONS	WEIGHT
WALL MOUNT GEL / LIQUID (SOLD SEPARATELY)	ABS Plastic	White	1200 mL	Automatic Hands-Free	H 10.5 x W 6 x D 4.1 in	2.2 lbs

**DISPENSER SOLD SEPARATELY**



Drip tray included

**Features and Benefits**

- Includes infrared sensor for fully automatic non-touch operation
- Effectively avoid germs or infection without making physical contact with dispenser.
- Works with most bulk Liquid/Gel Hand Sanitizer.
- Large 1200mL Capacity requires less refills.
- Battery Type - C, 4 - 1.5V batteries required. (Batteries not included)
- Features lock to help prevent theft and vandalism as well as On & Off button.
- Automatic, Hands-Free operation for improved hand hygiene.
- Floor stand holds one Dispenser.
- Dispenser material: ABS

**GEL / LIQUID**

H 10.5" x W 6" x D 4.1"

**SKU:**

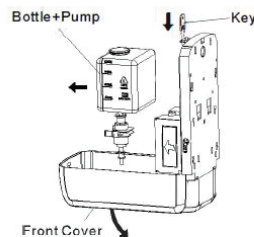
0671401060



Requires 4x C-size batteries.  
Not included

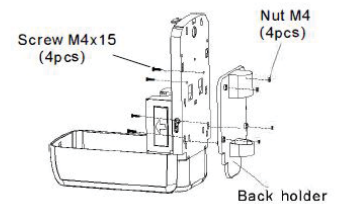
**STEP 1**

Open it with key,take out the bottle and pump



**STEP 2**

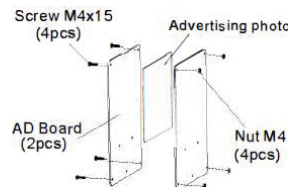
Install the back holder with dispenser



**Install Black Holder**

**STEP 3**

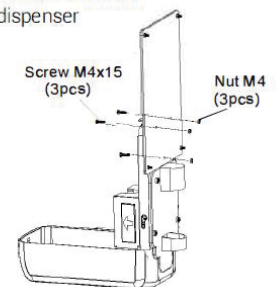
Put Advertising photo inside of 2 pcs AD board



\* Advertising photo size: 18x 18cm

**STEP 4**

Install the AD Board on dispenser



**Install AD Board**  
(If needed)