



STANDARD STAND W/SANITIZER DISPENSER

Our Standard Stand is an economical, and a lightweight option for any business or organization, making it versatile for nearly any application. The stand is made of heavy duty steel, and powder coated in matte black.

AUTOMATIC HANDS-FREE LIQUID/GEL HAND SANITIZER

Our Dispenser works with most Liquid/Gel Hand Sanitizers making them ideal for use in offices, schools, warehouses, food services facilities, hospitals and more. ADA Compliant in force and one-handed operation, making it accessible to people with disabilities.



Dispenser



Refill Pump

Model No.	MATERIAL	COVER FINISH	CAPACITY	OPERATION	DIMENSIONS	WEIGHT
STANDARD SANITIZER STAND	Powder-coated Steel body & base	Black	1x 1200 mL	Floor Stand	H 48.37 x W 8.12 / Base 14.12 x 11 in	12 lbs

Model No.	MATERIAL	COVER FINISH	CAPACITY	OPERATION	DIMENSIONS	WEIGHT
WALL MOUNT GEL / LIQUID	ABS Plastic	White	1200 mL	Automatic Hands-Free	H 10.5 x W 6 x D 4.1 in	2.2 lbs

HAND SANITIZER DISPENSER



Drip tray included

Features and Benefits

- Includes infrared sensor for fully automatic non-touch operation
- Effectively avoid germs or infection without making physical contact with dispenser.
- Works with most bulk Liquid/Gel Hand Sanitizer.
- Large 1200mL Capacity requires less refills.
- Battery Type - C, 4 - 1.5V batteries required. (Batteries not included)
- Features lock to help prevent theft and vandalism as well as On & Off button.
- Automatic, Hands-Free operation for improved hand hygiene.
- Floor stand holds one Dispenser.
- Dispenser material: ABS

GEL / LIQUID

H 10.5" x W 6" x D 4.1"

SKU:

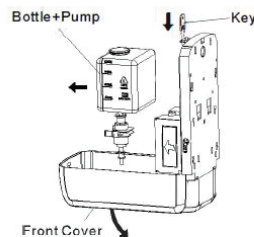
0671401060



Requires 4x C-size batteries.
Not included

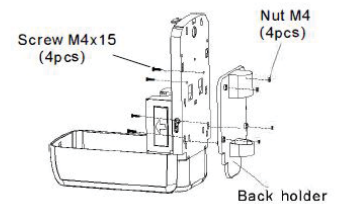
STEP 1

Open it with key,take out the bottle and pump



STEP 2

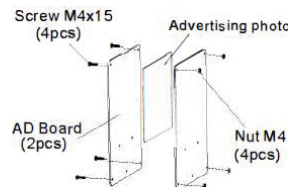
Install the back holder with dispenser



Install Black Holder

STEP 3

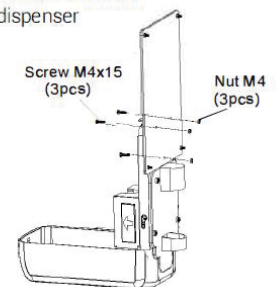
Put Advertising photo inside of 2 pcs AD board



* Advertising photo size: 18x 18cm

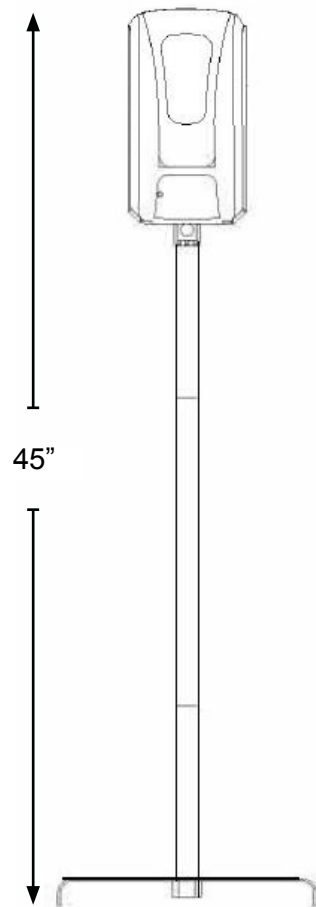
STEP 4

Install the AD Board on dispenser



Install AD Board
(If needed)

Dimensions



Stand assembly

